

PYRP520-XA (520蠕动泵)

蠕动泵
LIQUID PUMP



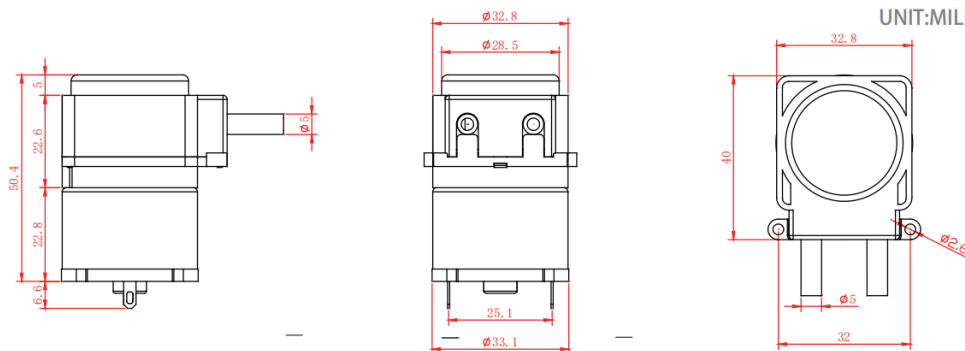
典型应用 Typical Applications

- ▶ Toiletries, beauty products, medical equipment, cleaning appliances
洗护用品、美容用品、医疗设备、清洁家电等.
- ▶ floor brush, floor mop, floor sweeping robot
地刷、地拖、扫地机器人

外形尺寸

Dimension

WEIGHT:100.0g(APPROX)
UNIT:MILLIMETERS



产品规格

Product Specifications

额定电压 Rated Voltage	DC 3V	DC 3.7V	DC 4.5V	DC 6V	DC 12V
额定电流 Rated Current	≤ 1000mA	≤ 800mA	≤ 650mA	≤ 500mA	≤ 250mA
功率 Power	3.0 W	3.0 W	3.0 W	3.0 W	
气嘴口径 Air Tap O.D.	Ø3.0mm				
抽液量 Water flow	200-300 mLPM				
最大真空度 Maximum Vacuum	≤ -20 Kpa(-150mmHg)				
噪音 Noise Level	≤ 65db (30cm away)				
寿命测试 Life Test	≥ 500 hours (连续工作)				
扬程 Pump Head	≥ 30m				
吸程 Suction Head	≥ 30m				
重量 Weight	100g				

* Other parameters: according to customer demand for design/其他参数：根据客户的需求设计。