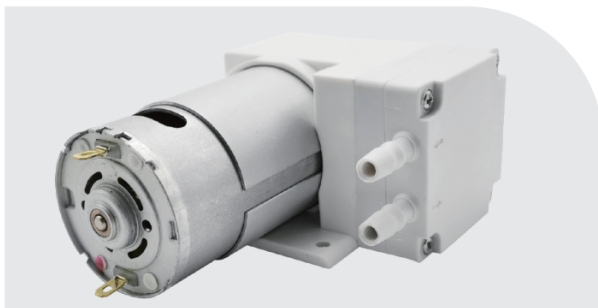


PYP555-XZ (真空活塞泵)

活塞泵

PISTON PUMP



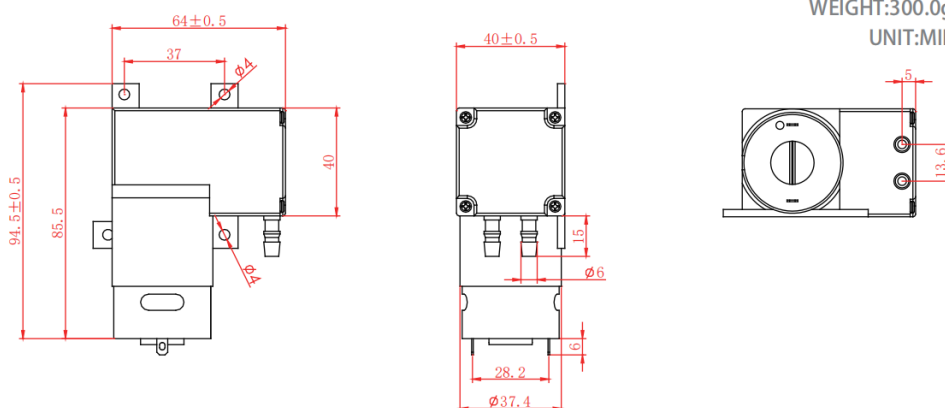
典型应用 Typical Applications

- ▶ Home appliances, medical, beauty, massage
家用电器.医疗.美容.按摩.成人用品.
- ▶ Medical equipment, Vacuum packaging machine,
Booster technology Booster technology
医疗设备.真空包装机.增压技术.

外形尺寸

Dimension

WEIGHT:300.0g(APPROX)
UNIT:MILLIMETERS



产品规格

Product Specifications

额定电压	Rated Voltage	DC 9V	DC 12V	DC 24V
额定电流	Rated Current	≤1300mA	≤1000mA	≤500mA
功率	Power	12 W	12 W	12 W
气嘴口径	Air Tap O.D.	Ø6.0mm		
真空流量	Vacuum Flow (No Load)	8-12 LPM		
最大真空度	Maximum Vacuum	≤-70 Kpa(-525mmHg)		
噪音	Noise Level	≤75db (30cm away)		
寿命测试	Life Test	≥ 500 hours (连续)		
重量	Weight	300g		

* Other parameters: according to customer demand for design/其他参数：根据客户的需求设计.

69

SHENZHEN PINCHENG MOTOR CO.,LTD
http://www.pinchengmotor.com Tel: +86-755-2879 9949 Fax: +86-755-2879 9811

E