

PYF3-XA (二位三通平头阀)

三通电磁阀

THREE-WAY VALVE



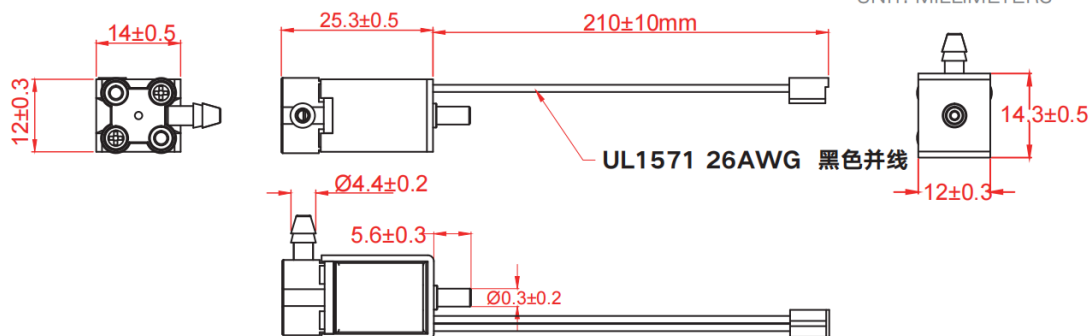
典型应用 Typical Applications

- ▶ Home appliances, medical, beauty, massage, adult products
家用电器、医疗、美容、按摩、成人用品
- ▶ Sphygmomanometers, Adult products, Massagers, Essential oil machines, Booster technology
血压计、成人用品、按摩器、精油机、增压技术

外形尺寸

Dimension

WEIGHT: 15g(APPROX)
UNIT: MILLIMETERS



产品规格

Product Specifications

额定电压	Rated Voltage	DC 3V	DC 3.7V	DC 6V	DC 12.0V	DC 24.0V
额定电流	Rated Current	120 ± 10%mA	105 ± 10%mA	100 ± 10%mA	100 ± 10%mA	120 ± 10%mA
直流阻抗	DC Resistance	25 ± 10%Ω	35 ± 10%Ω	60 ± 10%Ω	120 ± 10%Ω	200 ± 10%Ω
功率	Power	0.36 W	0.39 W	0.6 W	1.2 W	2.88 W
气嘴口径	Air Tap O.D.	Ø3.0mm				
最大压力	Maximum Pressure	40KPa(300mmHg)				
媒介	Medium	Air				
排气速度	Exhaust Speed	< 4s (from 300 to 15 mmHg in a 100cc tank)				
寿命测试	Life Test	≥ 200,000 Times (ON 5秒, OFF 5秒)				
气密性	Leakage	<3mmHg/min (under 300 mmHg in a 100cc tank)				
使用温度	Operation Temperature	0 ~50°C 30% to 85%RH				
模式	Type	Normally Opened				
重量	Weight	15g				

* Other parameters: according to customer demand for design/其他参数：根据客户的需求设计。